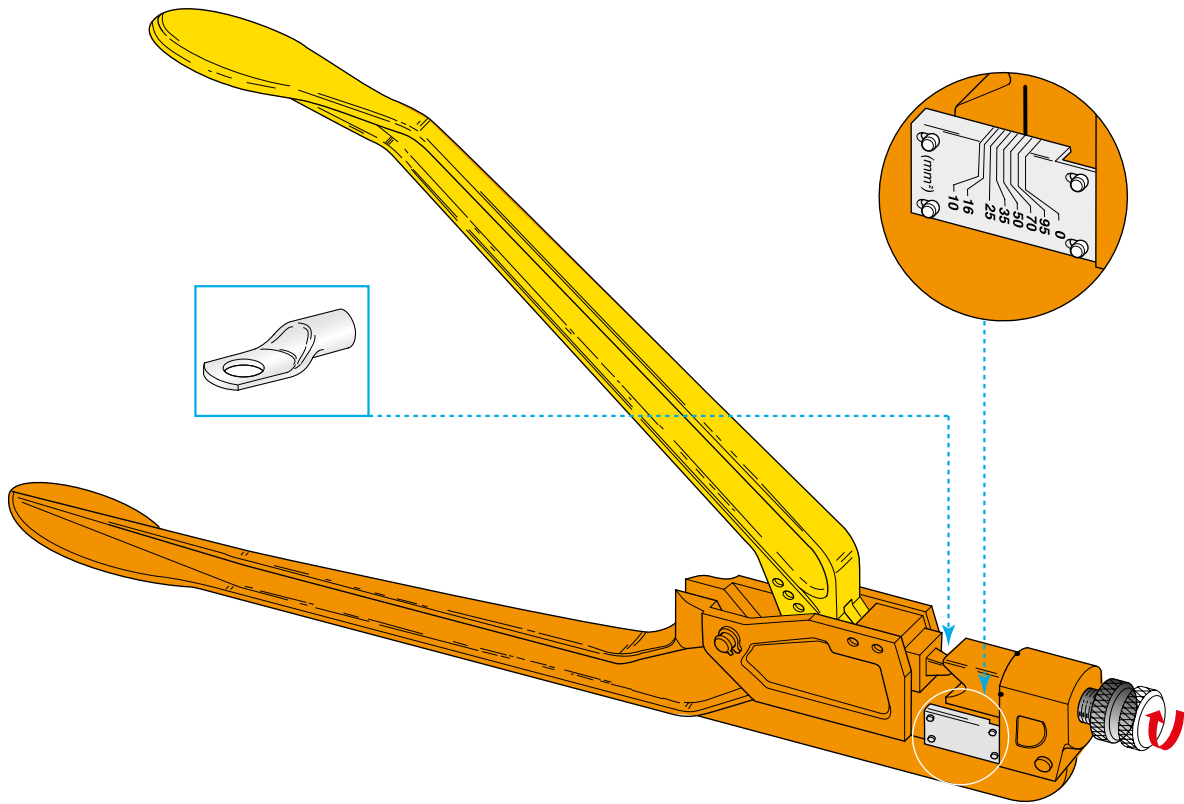


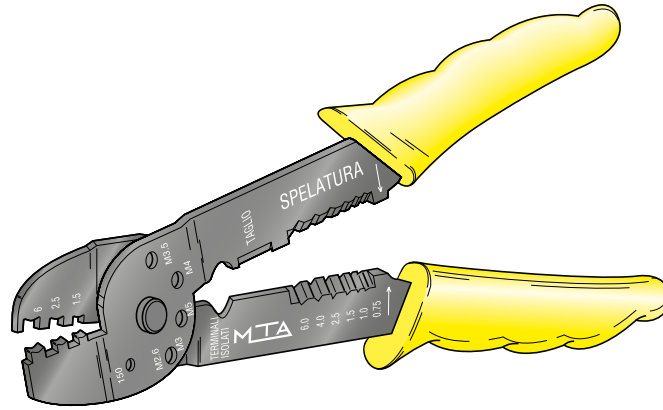
CRIMPING TOOLS



1

IMG	DESCRIPTION	WIRE SECTION mm ²	LENGTH mm	WEIGHT g	P/N BOX	MOQ
1	TOOL FOR TUBULAR TERMINALS	10÷95	565÷585	3267	9602490	1

CRIMPING TOOLS



1

IMG	DESCRIPTION	WIRE SECTION mm ²	P/N BOX	MOQ
1	CRIMPING TOOL	1,5÷6	9602450	1