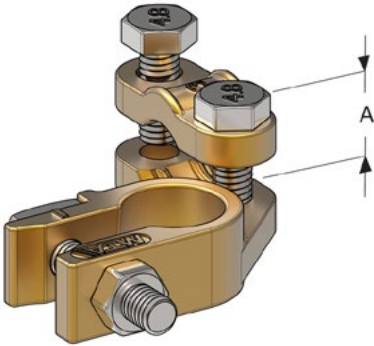
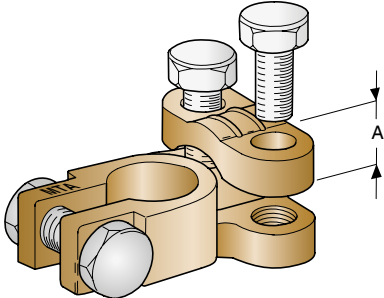


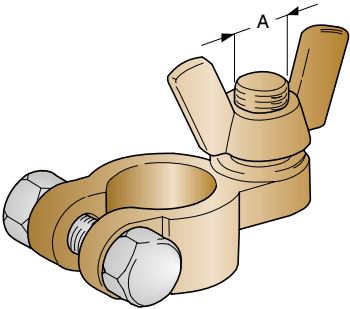
# DIE CAST



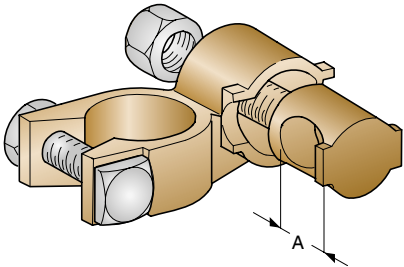
1



2



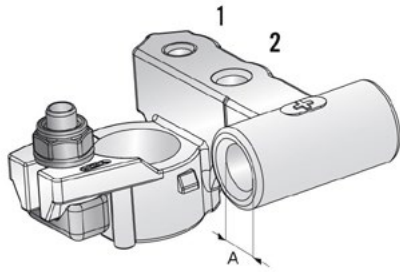
3



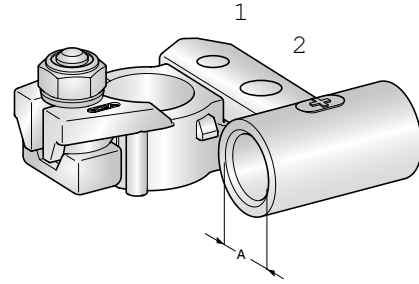
4

IMG	DESCRIPTION	POLARITY	WIRE SECTION mm <sup>2</sup>	MATERIAL	A mm <sup>2</sup>	P/N BOX	MOQ
1	DIE CAST	+		BRASS	25÷50	1506100	25
	DIE CAST	-		BRASS	25÷50	1506110	25
2	DIE CAST	+		BRASS	25÷50	1506270	25
	DIE CAST	-		BRASS	25÷50	1506280	25
3	DIE CAST	+		BRASS	M10	1506120	25
	DIE CAST	-		BRASS	M8	1506130	25
4	BATTERY TERMINAL	+	25	BRASS		1506250	25
	BATTERY TERMINAL	-	25	BRASS		1506260	25

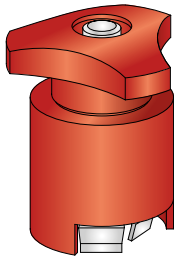
# DIE CAST & FRENCH TYPES



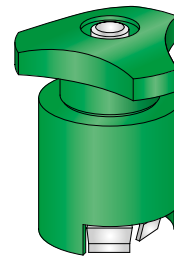
1



2



3



4

IMG	DESCRIPTION	POLARITY	SCREW 1	SCREW 2	A mm <sup>2</sup>	MATERIAL	COLOUR	P/N BULK	MOQ
1	DIE CAST	+	M6	M8	50	BRASS Sn		1506765	70
2	DIE CAST	+	M6	M8	70	BRASS Sn		1506740	150
	DIE CAST	-	M6	M8	50	BRASS Sn		1506760	150
3	BATTERY TERMINAL	+	-			PE - NYLON	■ RED	1506200	25
4	BATTERY TERMINAL	-	-			PE - NYLON	■ GREEN	1506210	25