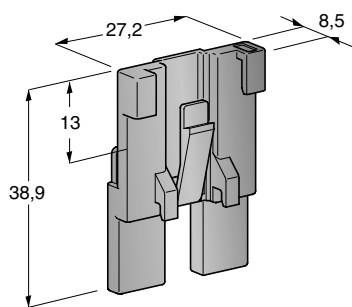
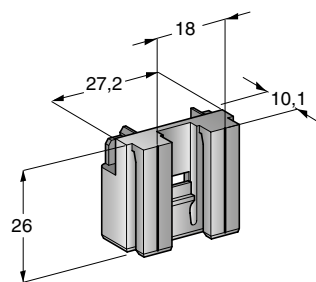


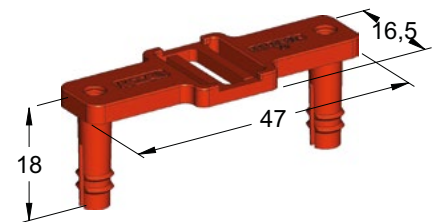
# ADAPTERS



1



2



3

IMG	DESCRIPTION	MATERIAL	COLOUR	P/N BULK	MOQ
1	ADAPTER	PA66 GF25	■ Black	0300856	1000
2	ADAPTER	PA66 GF25	■ Black	0300949	1500
3	RETENTION BLOCK WITHOUT BOLTS	PP GF30 - HB	■ Red	9450168	5000